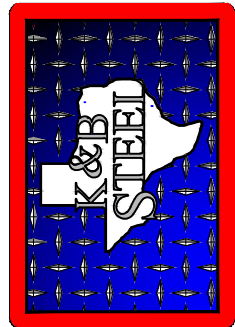
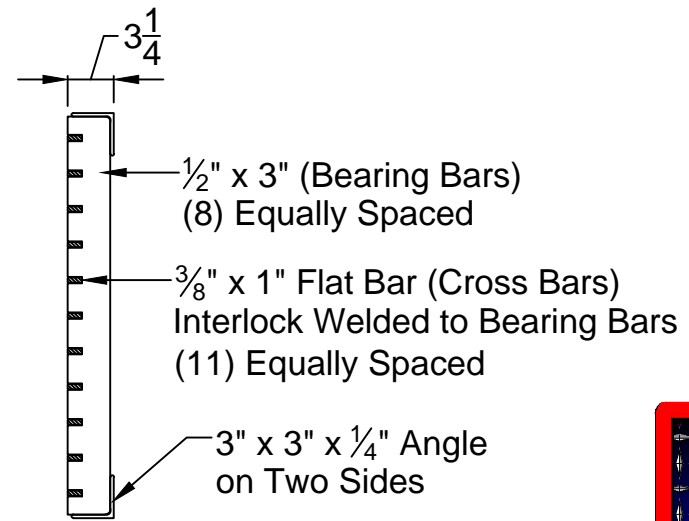
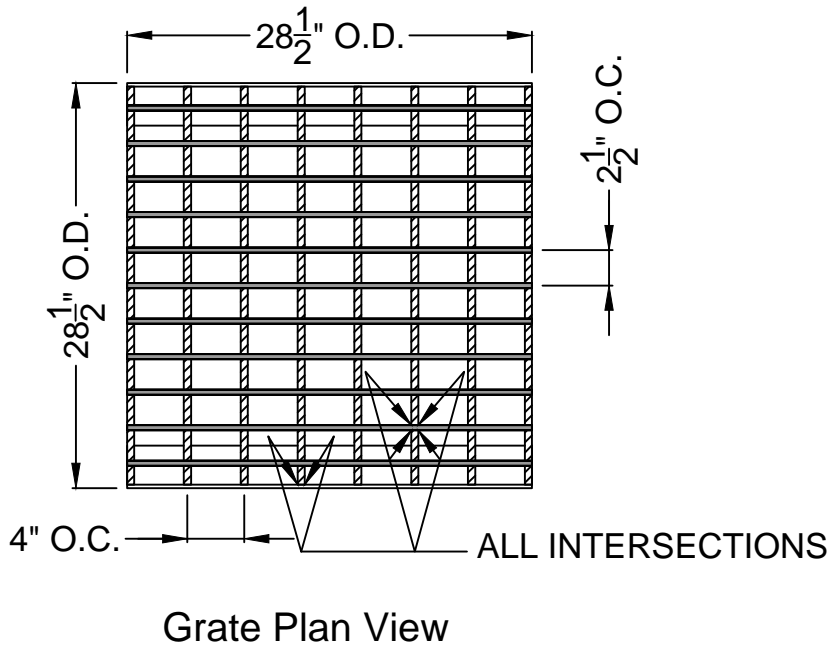


STANDARD 2 X 2 GRATE
(73.17% Open Area)

Galvanized Steel Grate
NTS

- Note:
1. ASTM A-36 Steel Construction
 2. Hot Dip Galvanized (ASTM A 123/ A)
 3. H-20 Load

Galvanized Steel Grate
Standard 2 x 2 Grate
(28 1/2" x 28 1/2" O.D.)
K&B Steel
E-Mail: kbsteel@valornet.com
525 Industrial Blvd. Clarksville, Texas 75426
Phone: (903) 427-3980 FAX: (903) 427-5817



(Date: 10-25-22)